

Supporting Information

Systematic investigations of annealing and functionalization of carbon nanotube yarns

Maik Scholz^{1,2}, Yasuhiko Hayashi^{3*}, Victoria Eckert^{1,2}, Vyacheslav Khavrus^{1§}, Albrecht Leonhardt¹, Bernd Büchner^{1,4}, Michael Mertig^{2,5}, Silke Hampel^{1*}

¹ Leibniz Institute for Solid State and Material Research Dresden, Helmholtzstr. 20, 01069 Dresden, Germany

² Institute for Physical Chemistry, Technical University of Dresden, 01062 Dresden, Germany

³ Graduate School of Natural Science and Technology, Okayama University, 3-1-1 Tsushima-naka, Kita, Okayama 700-8530, Japan

⁴ Institute for Solid State Physics, Technical University of Dresden, 01062 Dresden, Germany

⁵ Kurt-Schwabe-Institut für Mess- und Sensortechnik e.V. Meinsberg, 04736 Waldheim, Germany

[§] Current address: Life Science Inkubator Sachsen GmbH & Co. KG, Tatzberg 47, 01307 Dresden, Germany (Vyacheslav Khavrus)

* Correspondence: E-mail: S.Hampel@ifw-dresden.de; Tel: +49 (0) 351-4659-323 (S.H.) and E-mail: hayashi.yasuhiko@okayama-u.ac.jp; Tel: +81 (0) 86-251-8230 (Y.H.)

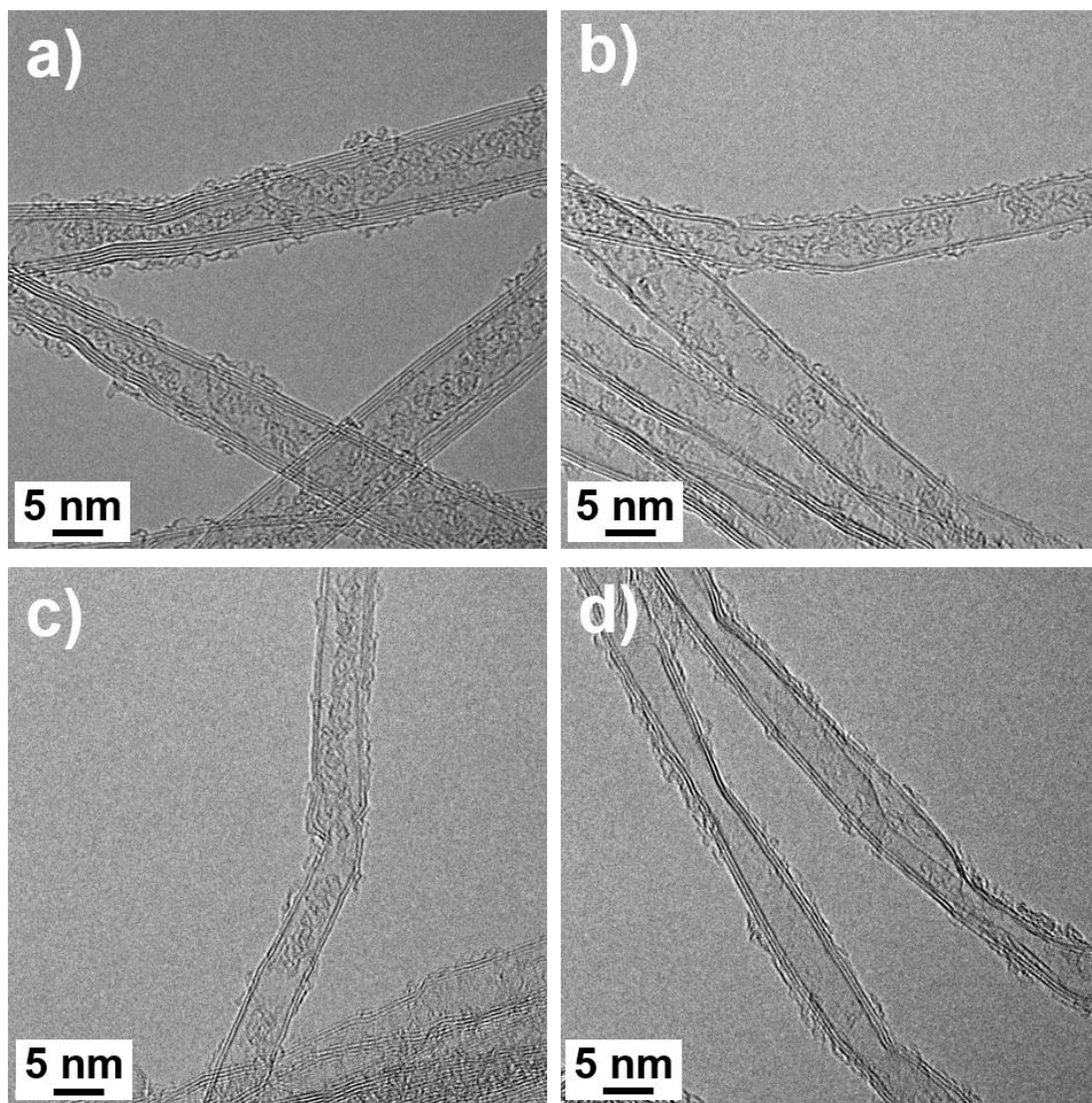


Figure S1: TEM images of pristine CNY.

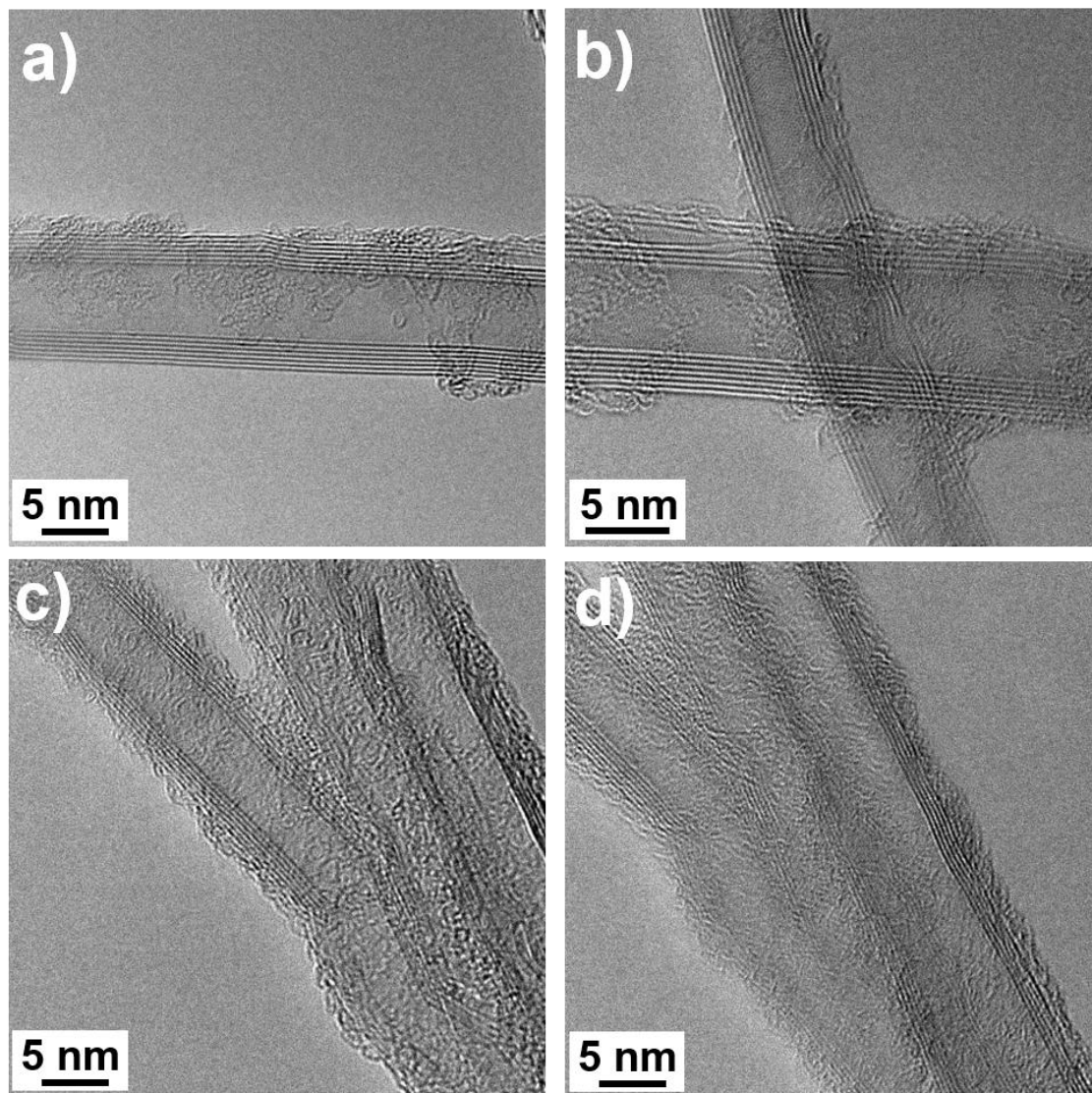


Figure S2: TEM images of annealed CNY for 2h at 2500°C

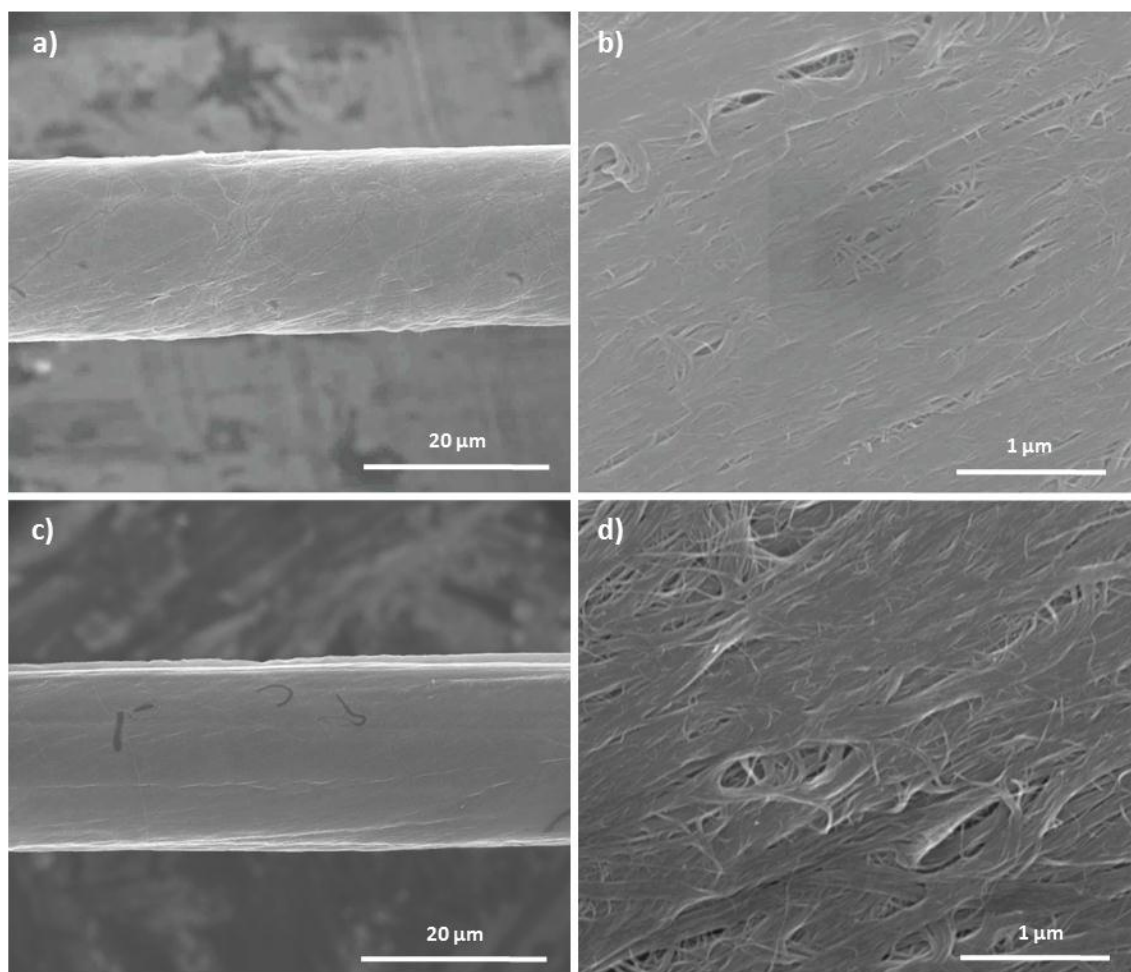


Figure S3: SEM images of CNY after treatment with H_2O_2 : a) and b) after 3 h and c) and d) after 216 h treatment time.

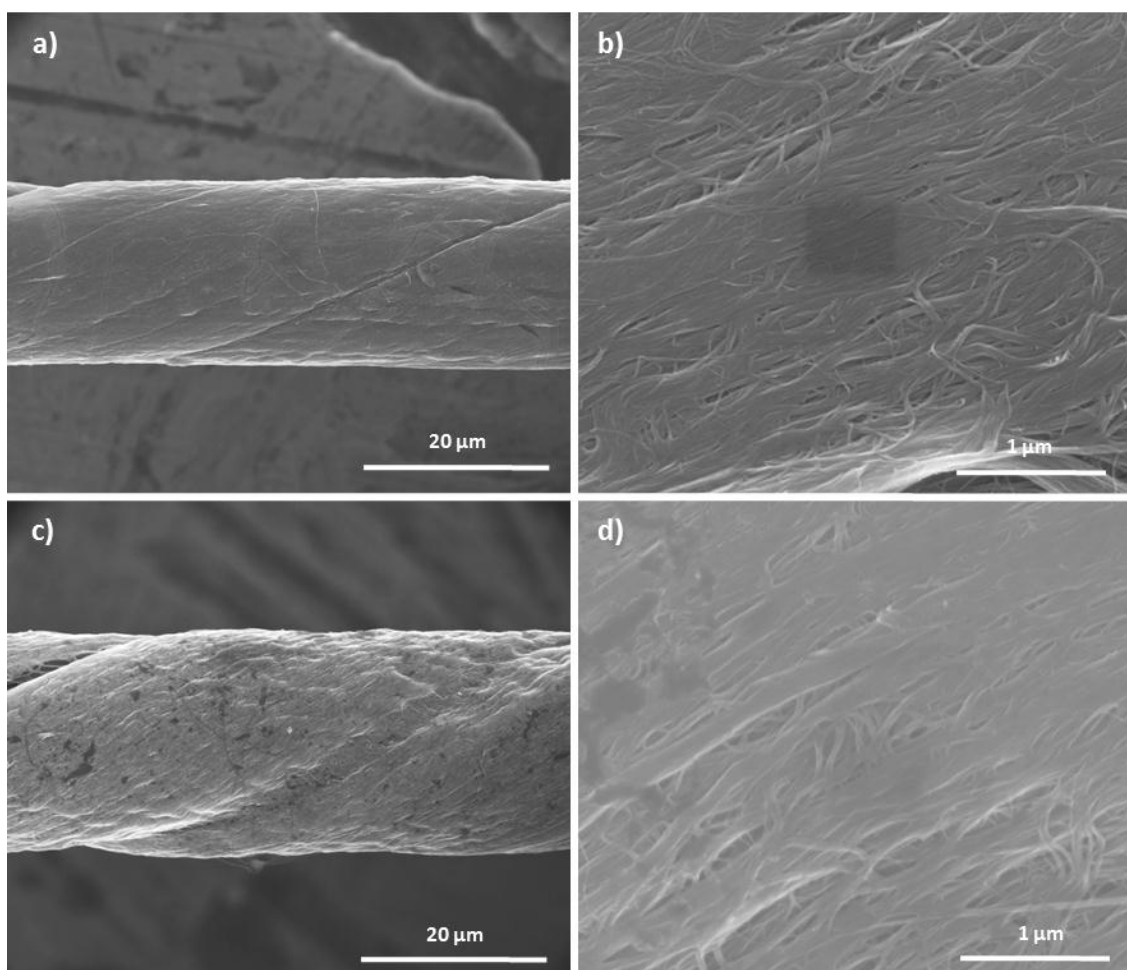


Figure S4: SEM images of CNY after treatment with HCl: a) and b) after 3 h and c) and d) after 216 h treatment time.

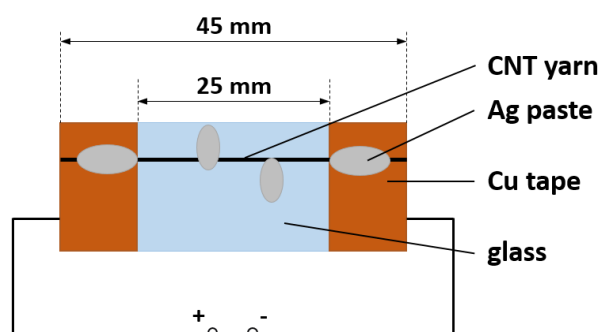


Figure S5: Detailed schematic illustration of the sample holder with fixed CNY for four-point measurements.